

**APPLICATIONS**

Lifting of various loads.

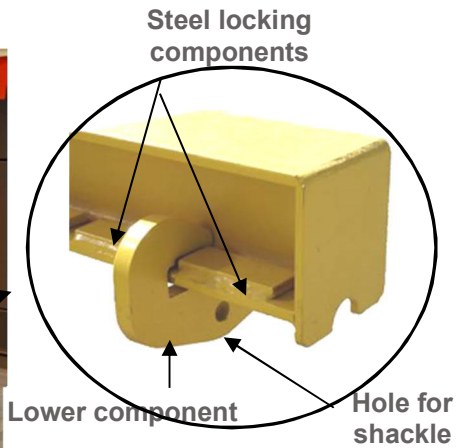
**DESCRIPTION**

Range of lifting beams with fixed or adjustable load-centre distance fitted with 2 lower attachment components.

Each lower attachment point allows a shackle to be attached to which lifting accessories can be fitted.

Adjustable model: securing of lower attachment points between two steel locking components is simple and sure. The adjustment -with step of 100 mm- is easily made by moving the lower pieces along the beam.

**PEM : adjustable model**



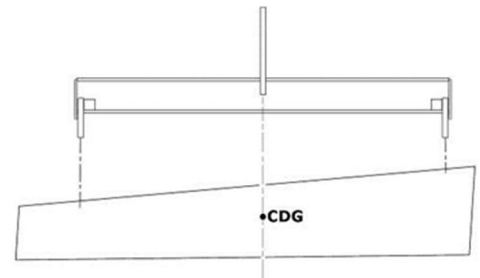
**FUNCTIONING**

Install necessary accessories on the lifting beam ensuring that these accessories meet all the lifting beam use conditions (see page 3).

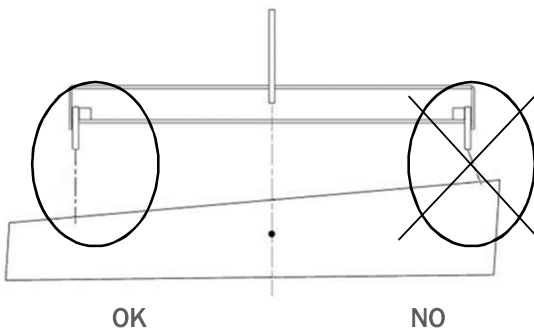
Attach the lifting beam to the lifting means.

*Adjustable model PEM only: adjust both lower points -taking the load geometry into account- sliding them onto the profile. Securely position the adjustable attachment points between appropriate steel locking components.*

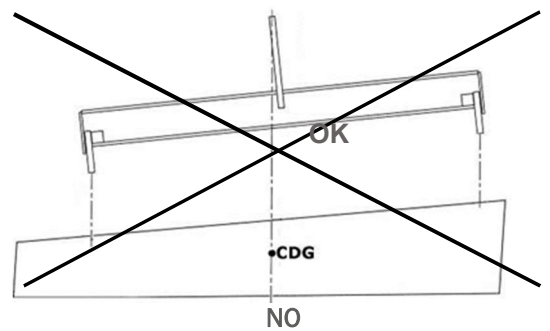
Hang the load on the lifting beam and perform lifting.



Ensure that the load is evenly balanced: the lifting beam must be horizontal during lifting (see Diagram 1) and efforts on axle direction of lower points vertical (see Diagram 2). Otherwise, stop the lifting and correctly position the load, the lifting beam and accessories.



CDG : gravity center of the load



## GENERAL CHARACTERISTICS

- Manufactured without load bearing welds.
- Hot epoxy coating.
- Designed and manufactured in accordance with the EN 13155.2003 norm.
- Product with EC marking and delivered with a declaration of conformity and instructions for use.

## DIMENSIONS

WLL <sup>2</sup> t	L m	L min <sup>3</sup> m	Group code		Dimensions in mm								Overall dimensions h x w x L	Weight kg	Accessories (WLL & references) <sup>1</sup>			
			PEF <sup>4</sup>	PEM <sup>5</sup>	A	B	C	D	E	F	G	H			HR Shackles PEF	PEM	Hooks PEF	PEM
1	1	0,4	82008	82308									360 x 180 x 1050	26				
	1.01-1.5	L - 0,6	211008	211488									according to L					
	1.51-1.99	L - 1	211018	211498														
	2	1	82018	82318				15	15	20		310	360 x 180 x 2050	43				
	2.01-2.5	L - 1	211028	211508									according to L					
	2.51-2.99	L - 2	211038	211518														
	3	1	82028	82328	100	150	20				15		360 x 180 x 3050	59	1t C036H 105599		0,8t C120E 104979	
	3.01-3.5	L - 2	211048	211528									according to L					
	3.51-3.99	L - 2	211058	211538				21	20	27		320						
	4	2	82038	82338									380 x 200 x 4050	93				
4.01-4.5	L - 2	211068	211548									according to L						
4.51-4.99	L - 3	211078	211558				15	15	20		370							
5	2	82048	82348									420 x 240 x 5050	167					
2	1	0,4	82058	82358				15	15	20		310	360 x 180 x 1050	26				
	1.01-1.5	L - 0,6	211088	211568									according to L					
	1.51-1.99	L - 1	211098	211578				21	20	27		320						
	2	1	82068	82368									380 x 200 x 2050	53				
	2.01-2.5	L - 1	211108	211588									according to L					
	2.51-2.99	L - 2	211118	211598														
	3	1	82078	82378	100	150	20	15	15	20	15	370	420 x 240 x 3050	106	1,5t C037H 105609		1,5t C125E 104999	
	3.01-3.5	L - 2	211128	211608									according to L					
	3.51-3.99	L - 2	211138	211618														
	4	2	82088	82388									420 x 240 x 4050	137				
4.01-4.5	L - 2	211148	211628									according to L						
4.51-4.99	L - 3	211158	211638				21	20	27		390							
5	2	82098	82398									450 x 260 x 5050	198					
3	1	0,4	82108	82408		150					15	320	380 x 200 x 1050	33				
	1.01-1.5	L - 0,6	211168	211648									according to L					
	1.51-1.99	L - 1	211178	211658														
	2	1	82118	82418		165					20	380	370 x 240 x 2060	83	1,5t C037H 105609	3,25t C039H 105589	1,5t C125E	2,5t C126E 105009
	2.01-2.5	L - 1	211188	211668									according to L					
	2.51-2.99	L - 2	211198	211678														
	3	1	82128	82428	100		20	21	20	27			370 x 240 x 3060	113				
	3.01-3.5	L - 2	211208	211688									according to L					
	3.51-3.99	L - 2	211218	211698		150					15	390						
	4	2	82138	82438									450 x 260 x 4050	162				
4.01-4.5	L - 2	211228	211708									according to L						
4.51-4.99	L - 3	211238	211718		165					20	400			3,25t C039H 105589		2,5t C126E 105009		
5	2	82148	82448									470 x 280 x 5060	240					

<sup>1</sup> HR shackles and swivel hooks supplied as an option - Shackles are essential for mounting hooks on the lower points of the spreader

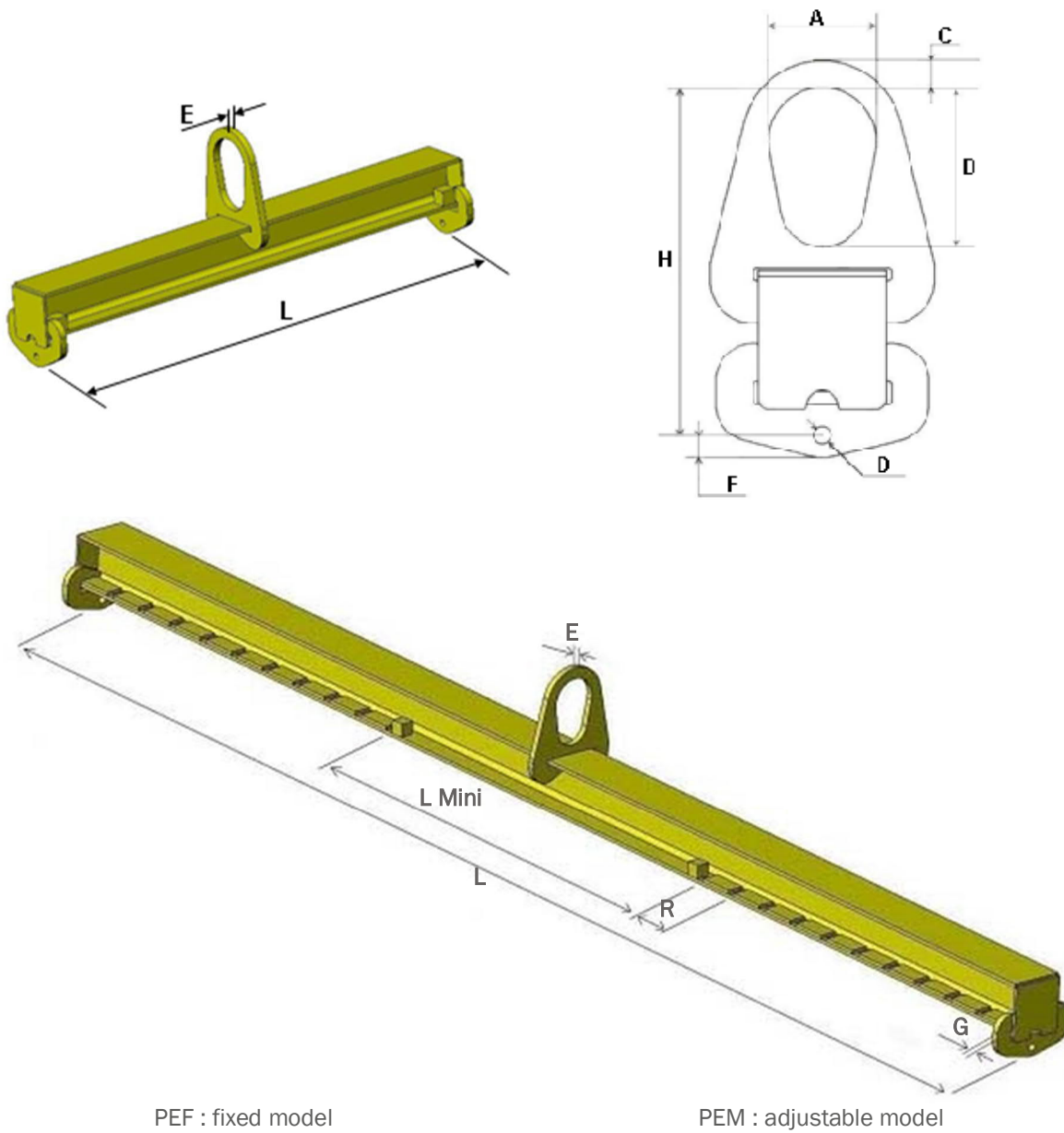
<sup>2</sup> WLL = Working Load Limit

<sup>3</sup> For PEM (adjustable) only

<sup>4</sup> PEF = fixed spreader

<sup>5</sup> PEM = adjustable spreader

WLL <sup>2</sup> t	L m	L min <sup>3</sup> m	Group code		Dimensions in mm								Overall dimensions h x w x L	Weight kg	Accessories (WLL & references) <sup>1</sup>			
			PEF <sup>4</sup>	PEM <sup>5</sup>	A	B	C	D	E	F	G	H			HR Shackles	Hooks		
														PEF	PEM	PEF	PEM	
	1	0,4	82158	82458									370 x 240 x 1060	52				
	1.01-1.5	L - 0,6	211248	211728	100	165		21	20	27	20	380	according to L					
	1.51-1.99	L - 1	211258	211738														
	2	1	82168	82468									370 x 240 x 2060	83				
	2.01-2.5	L - 1	211268	211748									according to L					
	2.51-2.99	L - 2	211278	211758	120	200		25	25	32	25	450	according to L					
4	3	1	82178	82478			20						510 x 260 x 3070	140				
	3.01-3.5	L - 2	211288	211768									according to L					
	3.51-3.99	L - 2	211298	211778	100	165		21	20	27	20	400	according to L					
	4	2	82188	82488									470 x 280 x 4060	197				
	4.01-4.5	L - 2	211308	211788									according to L					
	4.51-4.99	L - 3	211318	211798	120	200		25	25	32	25	480	according to L					
	5	2	82198	82498									540 x 300 x 5070	295				
	1	0,4	82208	82508									510 x 260 x 1070	68				
	1.01-1.5	L - 0,6	211328	211808									according to L					
	1.51-1.99	L - 1	211338	211818			20						according to L					
	2	1	82218	82518								450	510 x 260 x 2070	104				
	2.01-2.5	L - 1	211348	211828									according to L					
	2.51-2.99	L - 2	211358	211838			25						according to L					
5	3	1	82228	82528	120	200		25	25	32	25		520 x 280 x 3070	165	3,25t C039H 105589	4,75t C040H 105619	3,2t C127E 105019	5,4t C128E 105029
	3.01-3.5	L - 2	211368	211848									according to L					
	3.51-3.99	L - 2	211378	211858								480	according to L					
	4	2	82238	82538									540 x 300 x 4070	244				
	4.01-4.5	L - 2	211388	211868			20						according to L					
	4.51-4.99	L - 3	211398	211878								500	according to L					
	5	2	82248	82548									570 x 320 x 5070	348				
	1	0,4	82258	82558			20						510 x 260 x 1070	69				
	1.01-1.5	L - 0,6	211408	211888									according to L					
	1.51-1.99	L - 1	211418	211898								450	according to L					
	2	1	82268	82568									520 x 280 x 2070	123				
	2.01-2.5	L - 1	211428	211908									according to L					
	2.51-2.99	L - 2	211438	211918								480	according to L					
6	3	1	82278	82578	120	200		25	25	32	25		540 x 300 x 3070	194	4,75t C040H 105619		5,4t C128E 105029	
	3.01-3.5	L - 2	211448	211928									according to L					
	3.51-3.99	L - 2	211458	211938			20						500	according to L				
	4	2	82288	82588									570 x 320 x 4070	288				
	4.01-4.5	L - 2	211468	211948									according to L					
	4.51-4.99	L - 3	211478	211958								530	according to L					
	5	2	82298	82598									600 x 340 x 5070	392				



PEF : fixed model

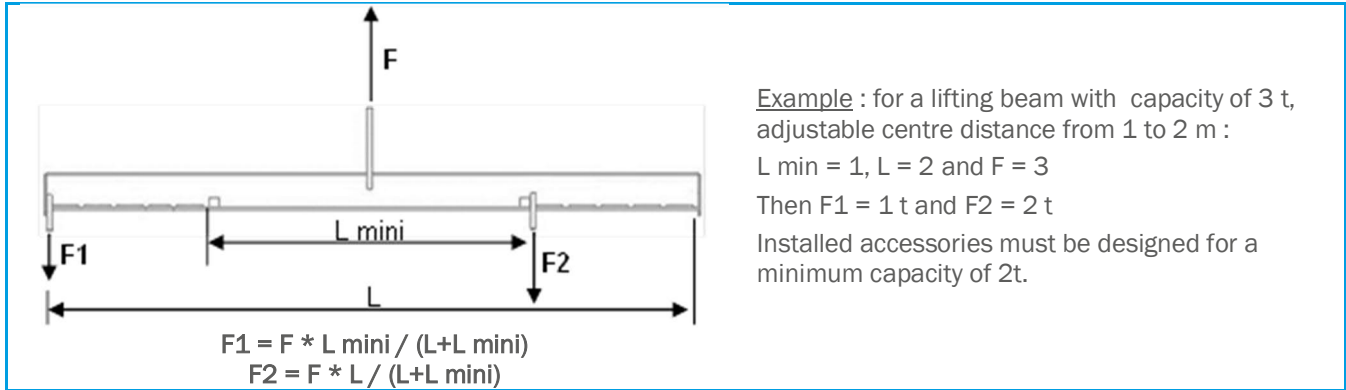
PEM : adjustable model

Adjustable step  $R = 100$  mm  
Other adjustable steps on request.

## CHOICE OF ACCESSORIES

Accessories like shackles, hooks, slings, etc. must be adapted to all lifting operations.

For adjustable lifting beams, following example is the most critical:



## IMPORTANT INSTRUCTIONS

- Do not use for personnel lifting.
- Strictly forbidden to either be under or walk under the load
- Working temperature: -20° to +100°C.
- Accessories must be adapted to all lifting operation conditions.
- For all lifting operations, make sure that the load itself can withstand the bending stresses and deformations it is likely to be subjected to during the lifting operation.
- Never lift loads which have non-attached charges on top.
- Never exceed Working Load Limit of the equipment (W.L.L. – see engraving).
- The weight of the lifting beam, added to the weight of the load lifted, must be less than the capacity of the lifting appliance.
- Never mount more than one element in the hole of each lower point of the lifting beam.